

FILM BASED PORTABLE X-RAY SYSTEMS



The SR-115 was designed to focus on a price sensitive market that addresses cost containment goals for radiology capital equipment purchases in the portable x-ray market place.

Developed for clinicians who are satisfied using lower powered x-ray units and who will continue using traditional film screen systems.

The SR-115 is a user-friendly system designed for high reliability, and the durability required for the Diagnostic Outreach Market.

Providing state of the art technology, the SR-115 produces 1.5 kW of power.



Model: SR-115

- High Power Output (1.5 kW)
- 100 kV, 15 mA, 60 mAs
- High Frequency
- Microprocessor Control
- Light Weight / Very Agile
- Cost Effective
- Designed for Reliability
- Durable Powder Coat Finish
- Limited 3 year Warranty

Model SR-115 SPECIFICATIONS

Generator

Input Voltage
kVp Range

mA Range

mAs Range
Indicators

High frequency resonant inverter – 1.5 kW
115/230 VAC, 50/60Hz
40 – 100 kVp, adjustable in 1 kV increments - closed loop regulation
Fixed, 15 mA - closed loop regulation
0.15 - 60
Digital display of kVp and mAs.
X-Ray, Ready and Fault indicators.

Exposure Switch

Detachable two-position

X-Ray Tube

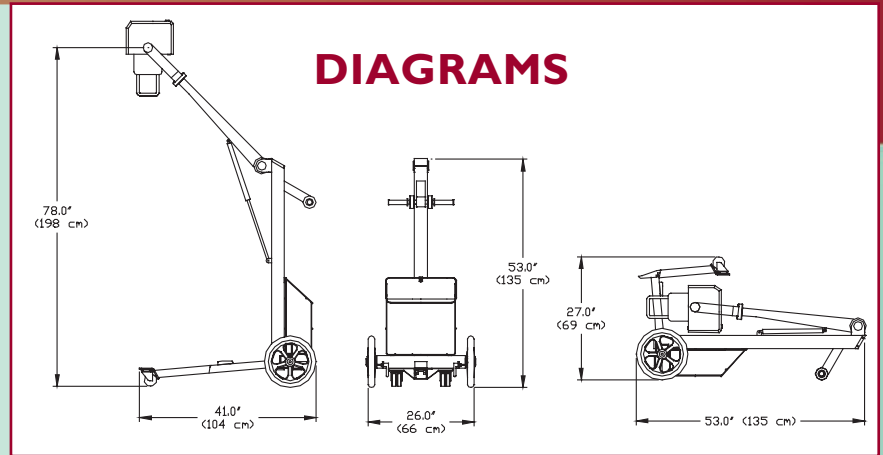
Filtration
Target Material
Anode Capacity
Focal Spot
Target Angle

Stationary Anode 100 kVp
2.7 mm al minimum
Tungsten
20,000 HU Storage
1.0 mm
15°

Collimator

Laser Crosshairs
Tape Measure
Inclinometer

Collimare CP-24-C
Center Locator
SID Measurement
Angle Measurement



Travel Stand

Min. F/S to Floor	13" / 33 cm
Max. F/S to Floor	78" / 198 cm
Hor. Ext. of F/S	21" / 53 cm
Hor. Rotation	200°
Tube Rotation	270°

System Weight 80 lbs. / 36 kg



(Complies with CFR 21 Subchapter J)



Specifications are subject to change without notice.

ISO 9001-2008 Certified.

Names of companies and/or products appearing in this document are trademarks and/or registered trademarks for their respective companies.

Source-Ray, Inc. • 50 Fleetwood Court • Ronkonkoma, NY 11779
(631) 244-8200 • Email: x_raysales@sourceray.com • fax (631) 244-7464