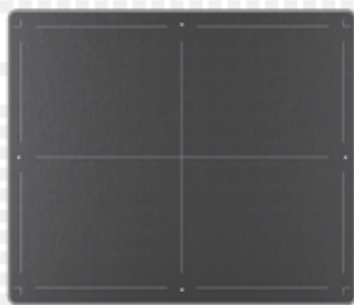




ExamVue

10" x 12" Wireless



10" x 12" Cassette-Sized Wireless Detector

User Friendly

- 10"x12" standard cassette radiographic detector; lightweight with anti-scratch anodized aluminum enclosure and carbon fiber cover plate with anti-shock rubber edging.
- No wiring to generator with Full-Field Automatic Exposure Detection (AED) Technology.

Superior Image Quality

- 120 um pixel pitch; high resolution performance with MTF ~ 30% @3 lp/mm and a limiting resolution of 4.16 lp/mm.
- Ultra high dynamic range (14000:1) with saturation dose of ~100Gy ensures very detailed capture of both thin and thick objects.
- High contrast and low noise radiography at low dosage from Csl direct-deposition technology, the 3rd generation of TFT/PIN Photodiode panel and low noise electronics. High DQE (> 70%with RQA5) at both low and high kV ranges.

Innovative Design and Robust Performance

- Reliable performance with water resistant and dust-resistant (IP64) exterior casing for outdoor/field operation.
- Extra-long battery life with 1400 exposures (10 sec interval between exposures) and 8 hours stand-by time. Supports ExamVue's smart-handswitch technology and accessories for extended battery-operation-time (more than 2 days on a single charge).

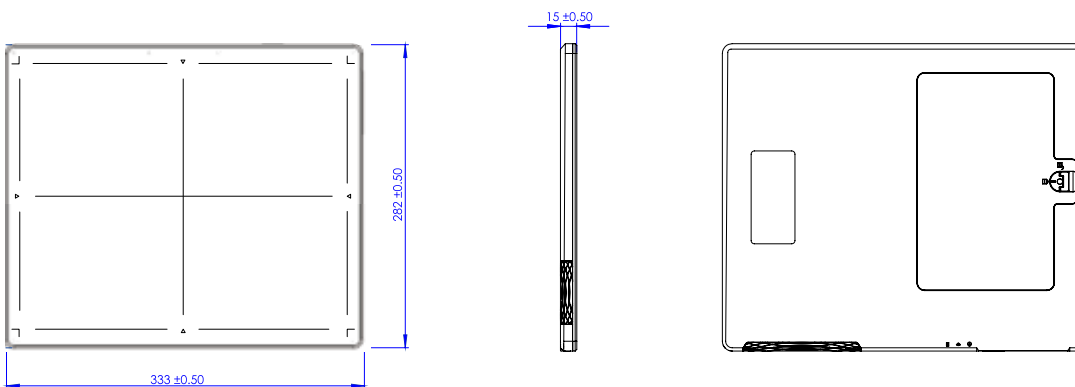
ExamVue 10" x 12" Wireless CareVue Panel Specifications

Sensor	
Scintillator	Direct Deposit: CsI:Tl
Active Area	307.2 x 244.32 mm
Pixel Array	2560 x 2048
Pixel Pitch	120 μ m
Image Quality	
Limiting Resolution	4.16 lp/mm
MTF	70%(@ 1 lp/mm)
	40%(@ 2 lp/mm)
	25%(@ 3 lp/mm)
	15%(@ 4 lp/mm)
DQE	(RQA5, 14 μ Gy)
	~70% (@ 0 lp/mm) ~33% (@ 3 lp/mm)
Sensitivity	~0.62 ct/nGy
Response Non-linearity	< \pm 0.5%
Maximum Linear Dose	> 95 μ Gy
Dark Noise	~10 nGy
Dynamic Range	~82 dB
A/D Conversion	16 bits
Communication	
Communication interface	Gigabit Ethernet 2.4/5 GHz, 300 Mbps

Image acquisition time	2-3 sec
Exposure Control	AED Manual Sync
Environmental	
Operating	
Temperature Range	5 $^{\circ}$ C-35 $^{\circ}$ C
Humidity Range (Non-condensing)	30% - 75% RH
Storage	
Temperature Range	-20 $^{\circ}$ C - 55 $^{\circ}$ C
Humidity Range	10% - 90% RH
Water/Dust Proof	IP 64
Mechanical	
Dimension	333 x 282 x 15 mm
Weight	~2.3 kg
Housing Material	Carbon Fiber (Front) Aluminum Alloy (Back)
Power	
Maximum Power (standby / operating)	< 8 W / 17 W
Power Supply	100-250 VAC
Frequency	50/60 Hz
Battery	3260 mAh, 14.8 V

ExamVue 10" x 12" Wireless

Dimensions (mm)



Contact us to learn more.
sales@jpihealthcare.com
516.513.1330 ext. 3
Visit us at jpihealthcare.com

